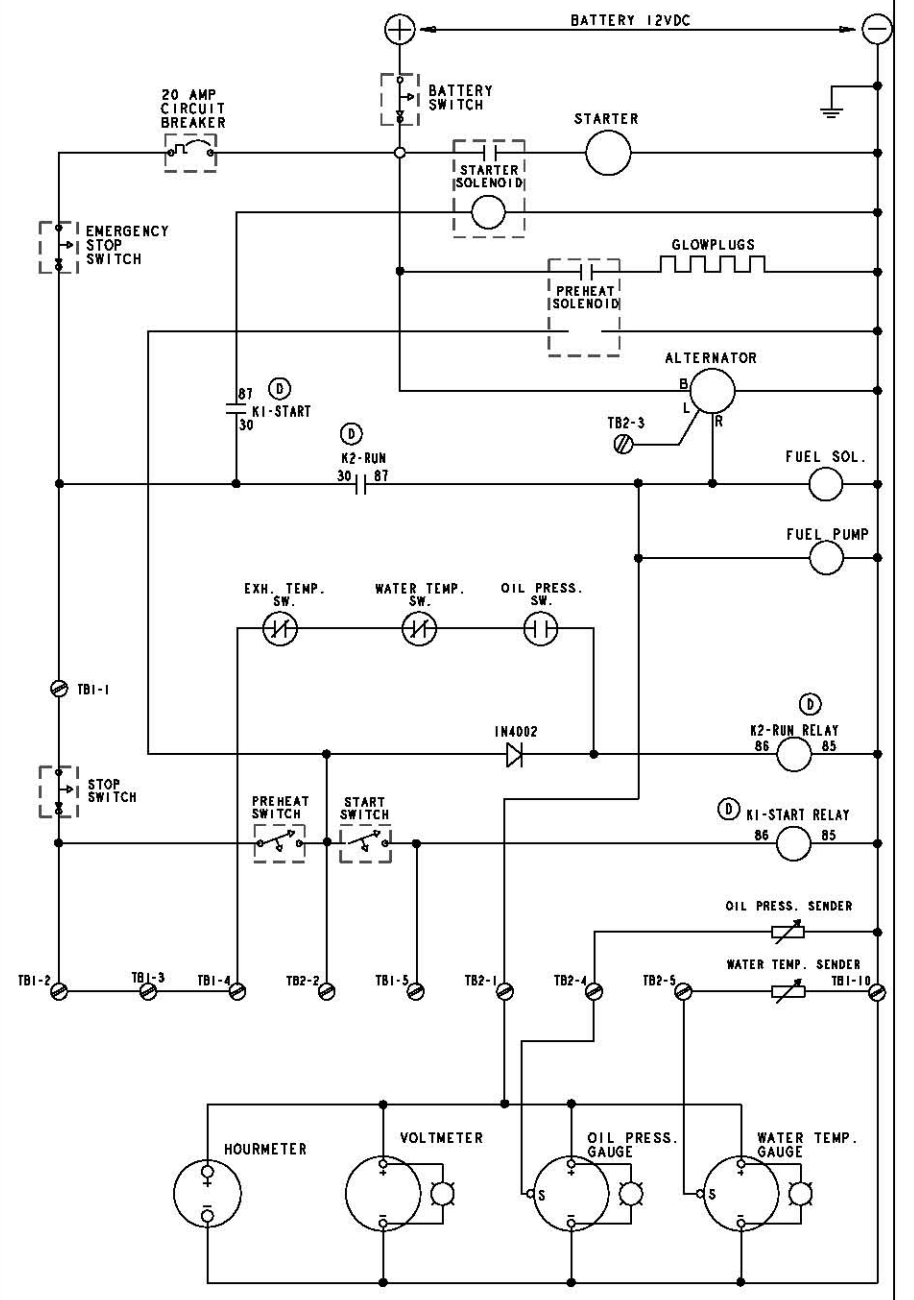


ECO NO.	DATE	REV.	REVISION RECORD	AUTH.	DR. BY
2196	6-10-63	A	TERMINAL BLOCK TAB WAS A 4 POSITION BLOCK AND THE WAS A FIVE POSITION BLOCK, NOW BOTH BLOCKS ARE 18 POSITION BLOCKS.		WRM
3095	10-23-66	B	#14GA. WIRE FROM RELAY TO TERMINAL BLK. 1 CHANGED TO #10GA. WIRE.		HRW
3111	11-10-66	C	MODIFY TO CURRENT STANDARDS		BRN
3285	2-7-68	D	ADD (3) RELAYS, REWAP SCHEMATIC TO CLARIFY TERMINAL CONNECTIONS		BRN
3777	8-14-68	E	WIRE #14 RED WAS #12 RED, WIRE #12 PUR/RED WAS #12 BRN. ADDED WIRE COLOR #14 WHT		EW
3855	8-22-68	F	ADDED AND EDITED NOTES ON DRAWING		HM
3855	8-23-68	G	CHANGED WIRE SIZES TO #12 FROM #14		JCC



TOLERANCES		WESTERBEKE CORPORATION	
INCHES	MILLIMETERS	AVON MA. 02322	
±.0005	±.0125	WIRING DIAGRAM AND SCHEMATIC	
±.0010	±.0250	8.0, 10.0, 11.0 BTD AND 12.5 BTDA	
±.0015	±.0375	DATE	REV. BY
±.0020	±.0500	APPROVED BY	DATE
±.0030	±.0750	SCALE	SIZE
±.0040	±.1000	NO. 1 OF 1	36412
±.0050	±.1250		6